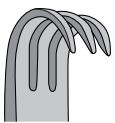


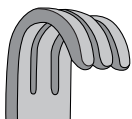
Senn-Miller



16 cm

3 sharp teeth 7 x 8 mm and
1 blunt tooth 18 x 6 mm

No. 91790-16



16 cm

3 blunt teeth 7 x 8 mm and
1 blunt tooth 18 x 6 mm

No. 91791-16

Vessel Dilator



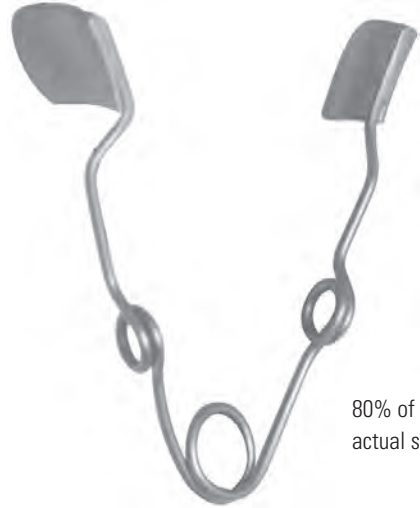
Angled 10°

11 cm

Tip Ø: 0.3 mm

No. 91815-11

Spring-Loaded Retractor

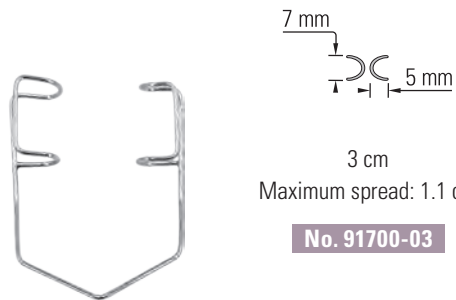


80% of
actual size

Atraumatic blades
8.5 cm
Maximum spread: 3 cm

No. 91706-05

Barraquer



3 cm
Maximum spread: 1.1 cm

No. 91700-03

Dieffenbach



Straight

35 mm

Strong pressure

No. 91850-35